

## Axial Power Inductors - AS0914U SERIES



### PART NUMBERING SYSTEM

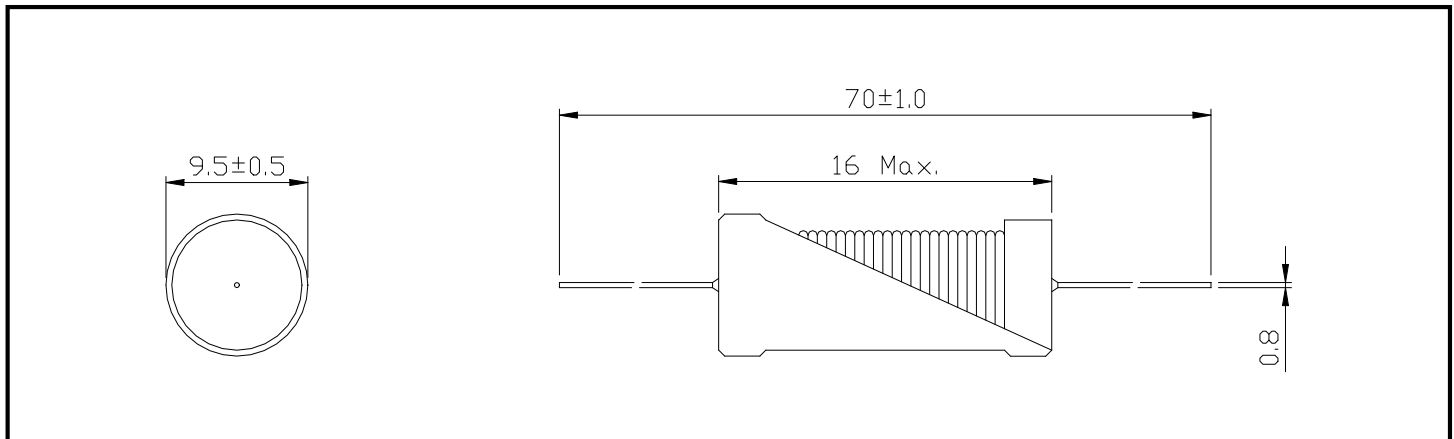
<b>AS</b>	<b>0914U</b>	—	<b>470K</b>	—	<b>LF</b>
TYPE	DIMENSIONS		INDUCTANCE		LEAD FREE

**U : UL Tube**

**P : PVC Tube**

### SHAPES AND DIMENSIONS

UNIT : mm



### STRUCTURAL DIAGRAM :

COMPONENT	MATERIALS
1.Core	Ferrite core
2.Wire	Polyurethane enameled copper wires
3.Lead wire	Tinned copper wires
4.Tube	Heat shrinkable tube, PVC or UL
5.Glue	Epoxy resin



## Axial Power Inductors - AS0914U SERIES



### SPECIFICATION TABLE

PART NUMBER	INDUCTANCE ( $\mu$ H)	Q (min)	DCR ( $\Omega$ ) (max)	IDC (mA) (max)	SRF(MHz) (min)	TEST FREQ. (Freq.)
AS0914-1R0M-LF	1.0	85	0.023	3500	86	7.96MHz
AS0914-1R2M-LF	1.2	85	0.023	3500	79	7.96MHz
AS0914-1R5M-LF	1.5	85	0.023	3500	79	7.96MHz
AS0914-1R8M-LF	1.8	95	0.023	3500	69	7.96MHz
AS0914-2R2M-LF	2.2	100	0.023	3500	62	7.96MHz
AS0914-2R7M-LF	2.7	100	0.026	3500	56	7.96MHz
AS0914-3R3M-LF	3.3	105	0.029	3500	50	7.96MHz
AS0914-3R9M-LF	3.9	105	0.029	3500	46	7.96MHz
AS0914-4R7M-LF	4.7	105	0.033	3500	42	7.96MHz
AS0914-5R6M-LF	5.6	100	0.035	3500	36	7.96MHz
AS0914-6R8M-LF	6.8	95	0.040	3500	32	7.96MHz
AS0914-8R2M-LF	8.2	90	0.040	3500	25	7.96MHz
AS0914-100K-LF	10	75	0.050	2500	21	2.52MHz
AS0914-120K-LF	12	75	0.050	2400	14	2.52MHz
AS0914-150K-LF	15	75	0.054	2000	11	2.52MHz
AS0914-180K-LF	18	80	0.068	1930	10	2.52MHz
AS0914-220K-LF	22	75	0.071	1760	9.5	2.52MHz
AS0914-270K-LF	27	70	0.077	1490	8.5	2.52MHz
AS0914-330K-LF	33	60	0.084	1490	7.3	2.52MHz
AS0914-390K-LF	39	55	0.096	1280	6.8	2.52MHz
AS0914-470K-LF	47	50	0.104	1220	6.7	2.52MHz
AS0914-560K-LF	56	50	0.150	1060	5.6	2.52MHz
AS0914-680K-LF	68	50	0.176	1000	5.4	2.52MHz
AS0914-820K-LF	82	50	0.192	830	5.1	2.52MHz
AS0914-101K-LF	100	50	0.25	610	3.7	796KHz
AS0914-151K-LF	150	45	0.31	470	3.5	796KHz
AS0914-221K-LF	220	45	0.51	380	2.7	796KHz



## Axial Power Inductors - AS0914U SERIES



### SPECIFICATION TABLE

PART NUMBER	INDUCTANCE ( $\mu$ H)	Q (min)	DCR ( $\Omega$ ) (max)	IDC (mA) (max)	SRF(MHz) (min)	TEST FREQ. (Freq.)
AS0914-331K-LF	330	40	0.64	330	2.2	796KHz
AS0914-391K-LF	390	40	0.86	330	2.1	796KHz
AS0914-471K-LF	470	35	0.95	330	1.9	796KHz
AS0914-681K-LF	680	30	1.09	320	1.7	796KHz
AS0914-821K-LF	820	30	0.33	310	1.6	796KHz
AS0914-102K-LF	1000	55	0.65	110	1.2	252KHz
AS0914-152K-LF	1500	45	2.14	81	1.1	252KHz
AS0914-222K-LF	2200	50	3.65	63	0.81	252KHz
AS0914-332K-LF	3300	50	4.67	54	0.68	252KHz
AS0914-472K-LF	4700	45	5.75	45	0.61	252KHz
AS0914-682K-LF	6800	40	8.66	36	0.54	252KHz
AS0914-103K-LF	10000	70	15.9	34	0.40	79.6KHz
AS0914-153K-LF	15000	70	20.6	32	0.35	79.6KHz
AS0914-223K-LF	22000	60	26.9	28	0.30	79.6KHz
AS0914-333K-LF	33000	55	43.2	25	0.23	79.6KHz
AS0914-473K-LF	47000	55	54.0	22	0.20	79.6KHz
AS0914-683K-LF	68000	45	79.0	20	0.17	79.6KHz
AS0914-104K-LF	100000	35	111.0	19	0.13	79.6KHz